

High Frequency

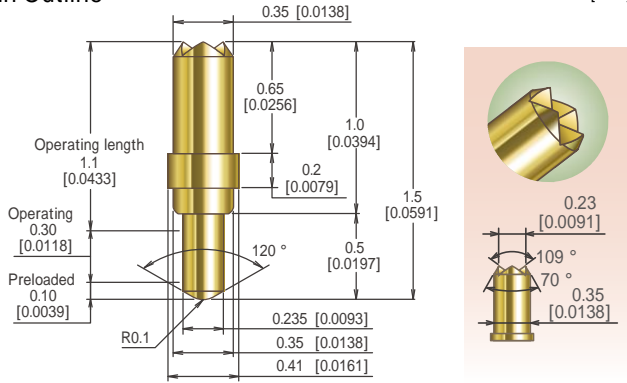
高周波

Test Height
1.1mm

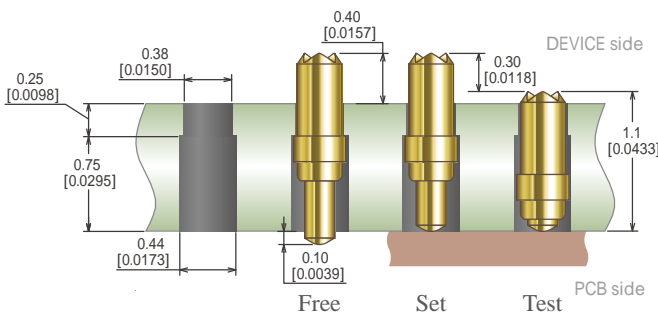
KLS050 001CA

Pitch **0.50mm**

Pin Outline



Socket Outline



Specifications (Approximate Average Values)

Mechanical Specifications

Spring Force at Operating Travel	10gf (0.35oz.)
Operating Travel	0.4mm (0.0157inch)
Operating Temperature	45 to 125
Life Span at Operating Travel	200K Cycles

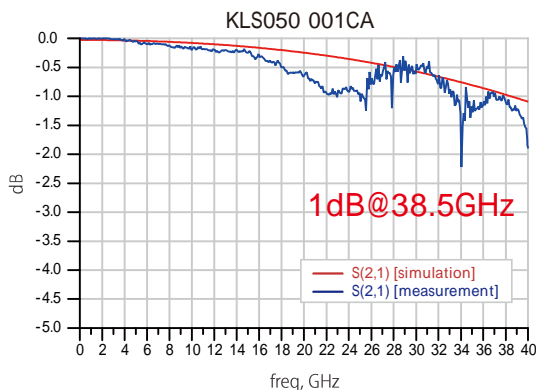
Electrical Specifications

Current Rating (Continuous)	1.3A
Self Inductance	0.4nH
Bandwidth @ 1dB	38.5GHz
DC Resistance	0.05ohm

Material and Finishes

Bottom Plunger	BeCu / Au Plated
Barrel	BeCu / Au Alloy Plated
Spring	Music Wire / Au Plated

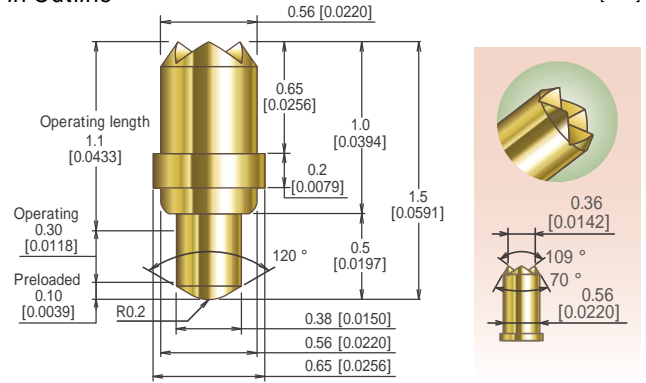
Insertion Loss Data



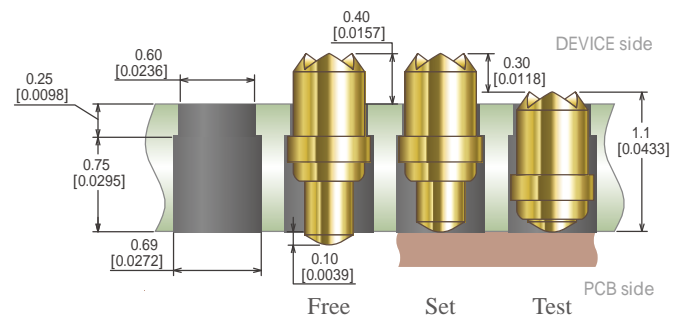
KLS080 001CA

Pitch **0.80mm**

Pin Outline



Socket Outline



Specifications (Approximate Average Values)

Mechanical Specifications

Spring Force at Operating Travel	20gf (0.71oz.)
Operating Travel	0.4mm (0.0157inch)
Operating Temperature	45 to 125
Life Span at Operating Travel	1000K Cycles

Electrical Specifications

Current Rating (Continuous)	2.4A
Self Inductance	0.4nH
Bandwidth @ 1dB	31.5GHz
DC Resistance	0.05ohm

Material and Finishes

Bottom Plunger	BeCu / Au Plated
Barrel	BeCu / Au Alloy Plated
Spring	Music Wire / Au Plated

Insertion Loss Data

